

## MODEL 5030

The Model 5030 Thermoelectric Generator contains no moving parts. It is a reliable, low-maintenance source of DC electrical power for any application where regular utilities are unavailable or unreliable.

### KEY FEATURES:

- ✦ Automatic Spark Ignition (SI)
- ✦ Automatic Fuel Shut-Off (SO)
- ✦ Fuel Filter
- ✦ Low Voltage Alarm Contacts (VSR)
- ✦ Reverse Current Protection

### OPTIONAL FEATURES:

- ✦ Pole or Bench Stand
- ✦ Corrosive Environmental Fuel System



## SPECIFICATIONS

### POWER SPECIFICATIONS

#### POWER RATING AT 20°C (68°F)

21 Watts @ 12 Volts  
21 Watts @ 24 Volts

### ELECTRICAL

#### OUTPUT ADJUSTMENT RANGE

12 Volts    12–18 Volts  
24 Volts    24–30 Volts

**Output:** Terminal block which accepts up to 10 AWG wire. Opening for 3/4" conduit in base of cabinet.

### FUEL REQUIREMENTS

#### NATURAL GAS

2.1m<sup>3</sup>/day (74 Sft<sup>3</sup>/day)  
1000 BTU/Sft<sup>3</sup> (37.7 MJ/Sm<sup>3</sup>) gas  
max 115 mg/Sm<sup>3</sup> (~170 ppmw) H<sub>2</sub>S  
max 120 mg/Sm<sup>3</sup> H<sub>2</sub>O  
max 1% free O<sub>2</sub>

#### PROPANE

3.0 L/day (0.8 US gal/day)

#### NATURAL GAS/PROPANE

Max. Supply Pressure: 172 kPa (25 psi)  
Min. Supply Pressure NG: 69 kPa (10 psi)  
Min. Supply Pressure LPG: 103 kPa (15 psi)  
Fuel Connection: 1/4" Male NPT

### ENVIRONMENTAL

#### AMBIENT OPERATING TEMPERATURE

Max. +45°C (115°F)  
Min. -40°C (-40°F)

#### OPERATING CONDITIONS

Unsheltered operation

Please contact GPT for operating conditions below -40°C or above +45°C.

### CONSTRUCTION

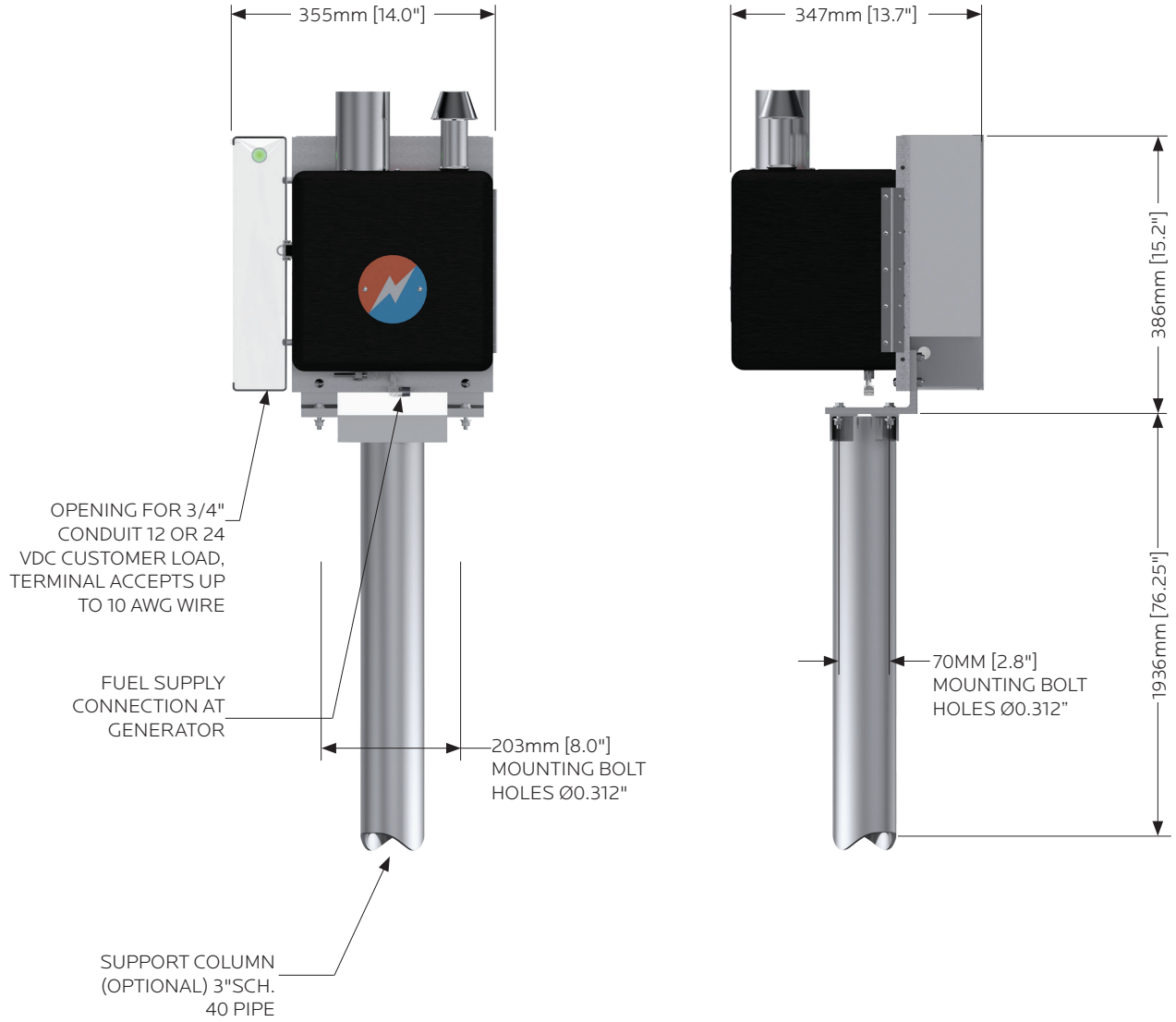
#### MATERIALS

Cabinet: Aluminum  
Cooling Type: Natural Convection  
Fuel System: Brass, Aluminum & Stainless Steel

### NOTES

Specifications shown are for standard 5030 configurations. Global Power Technologies (GPT) also offers customized products and systems to accommodate custom voltages, fuel supply systems and operating temperatures.

Specification data stated in this document is subject to change without notice. To verify these specifications are current, please contact your GPT sales representative.



**NOTES:**  
Generator Weight: 18 kg [40 lb]

**ISO**  
9001:2015  
REGISTERED