

## MODEL 8550

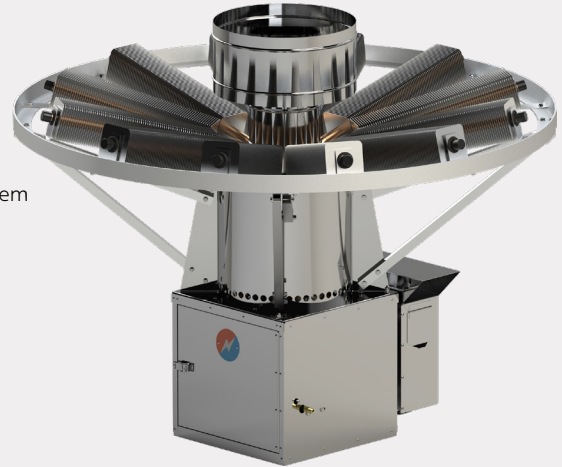
The Model 8550 Thermoelectric Generator contains no moving parts. It is a reliable, low-maintenance source of DC electrical power for any application where regular utilities are unavailable or unreliable.

### KEY FEATURES:

- ✓ Automatic Spark Ignition (SI)
- ✓ Automatic Fuel Shut-Off (SO)
- ✓ Fuel Filter
- ✓ Low Voltage Alarm Contacts (VSR)
- ✓ Overtemperature Shutdown (SD)
- ✓ Reverse Current Protection

### OPTIONAL FEATURES:

- ✓ Corrosive Environmental Fuel System
- ✓ Remote Start
- ✓ Bench Stand
- ✓ Operation Over 4,000m Elevation
- ✓ Cathodic Protection Interface
- ✓ Rain Cap\*



## SPECIFICATIONS

### POWER SPECIFICATIONS

#### POWER RATING AT 20°C (68°F)

480 Watts @ 12 Volts      480 Watts @ 48 Volts  
550 Watts @ 24 Volts

### ELECTRICAL

#### OUTPUT ADJUSTMENT RANGE

12 Volts      11.4–12.6 Volts  
24 Volts      24–30 Volts  
48 Volts      47–57 Volts

**Output:** Terminal block which accepts up to 8 AWG wire. Opening for 3/4" conduit in base of cabinet.

### FUEL REQUIREMENTS

#### NATURAL GAS

48.0m<sup>3</sup>/day (1695 Sft<sup>3</sup>/day)  
1000 BTU/Sft<sup>3</sup> (37.7 MJ/Sm<sup>3</sup>) gas  
max 115 mg/Sm<sup>3</sup> (~170 ppmw) H<sub>2</sub>S  
max 120 mg/Sm<sup>3</sup> H<sub>2</sub>O  
max 1% free O<sub>2</sub>

#### PROPANE

76.0 L/day (20.1 US gal/day)

#### NATURAL GAS/PROPANE

Max. Supply Pressure: 172 kPa (25 psi)  
Min. Supply Pressure NG: 103 kPa (15 psi)  
Min. Supply Pressure LPG: 138 kPa (20 psi)  
Fuel Connection: 1/4" Male NPT

### ENVIRONMENTAL

#### AMBIENT OPERATING TEMPERATURE

Max. +45°C (115°F)  
Min. -40°C (-40°F)

#### OPERATING CONDITIONS

Unsheltered operation, shaded at >45°C

Please contact GPT for operating conditions below -40°C or above +45°C.

### CONSTRUCTION

#### MATERIALS

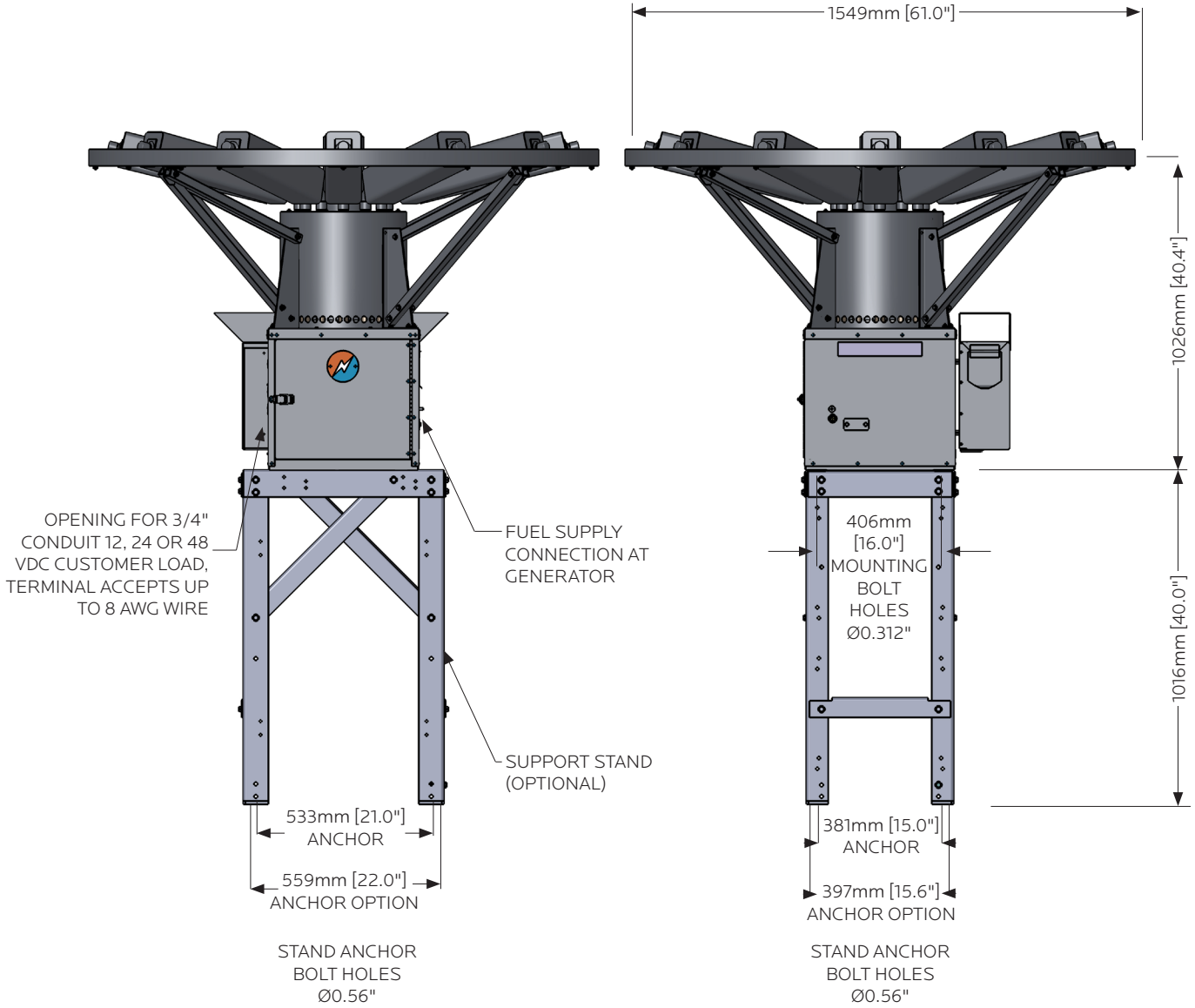
Cabinet:            304 Stainless Steel (SS)  
Cooling Type:      Natural Convection  
Fuel System:       Brass, Aluminum & Stainless Steel

### NOTES

\*Rain Cap included as standard with Remote Start Models.

Specifications shown are for standard 8550 configurations. Global Power Technologies (GPT) also offers customized products and systems to accommodate custom voltages, fuel supply systems and operating temperatures.

Specification data stated in this document is subject to change without notice. To verify these specifications are current, please contact your GPT sales representative.



**NOTES:**  
Generator Weight: 102 kg [225 lb]

**ISO**  
9001:2015  
REGISTERED