

## MODEL P-5050

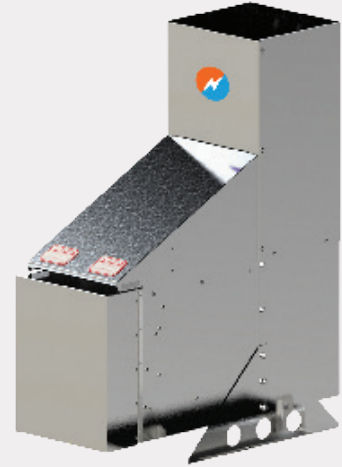
The Model P-5050 Thermoelectric Generator contains no moving parts. A reliable, low-maintenance source of DC power for any application where regular utilities are unavailable or unreliable.

### KEY FEATURES:

- ✓ Automatic Spark Ignition (SI)
- ✓ Automatic Fuel Shut-Off (SO)
- ✓ Fuel Filter
- ✓ Low Voltage Alarm Contacts (VSR)
- ✓ Reverse Current Protection
- ✓ API 12N Flame Arrestor (Natural Gas Only)
- ✓ Certified to CSA/ANSI 13.1 :22

### OPTIONAL FEATURES:

- ✓ Remote Start
- ✓ Corrosive Environmental Fuel System
- ✓ Cathodic Protection Interface
- ✓ Converter Box
- ✓ Heat Recovery System (HRS)
- ✓ Pole Mount or Bench Stand



## SPECIFICATIONS

### POWER SPECIFICATIONS

#### POWER RATING AT 20°C (68°F)

50 Watts @ 14 Volts      50 Watts @ 27 Volts  
40 Watts @ 54 Volts

### ELECTRICAL

#### OUTPUT ADJUSTMENT RANGE

12 Volts      12–18 Volts  
24 Volts      24–30 Volts  
48 Volts      53–57 Volts

**Note:** 12/24 VDC Models: Terminal block accepts up to 8 AWG wire. Opening for 3/4" conduit in base of cabinet.  
48 VDC: Terminal block accepts up to 4 AWG wire.

### FUEL REQUIREMENTS

#### NATURAL GAS

4.8m<sup>3</sup>/day (168 Sft<sup>3</sup>/day)  
1000 BTU/Sft<sup>3</sup> (37.7 MJ/Sm<sup>3</sup>) gas  
max 115 mg/Sm<sup>3</sup> (~170 ppmw) H<sub>2</sub>S  
max 120 mg/Sm<sup>3</sup> H<sub>2</sub>O  
max 1% free O<sub>2</sub>

#### PROPANE

7.2 L/day (1.9 US gal/day)

#### NATURAL GAS/PROPANE

Max. Supply Pressure: 344 kPa (50 psi)  
Min. Supply Pressure: 103 kPa (15 psi)  
Fuel Connection: 1/4" Female NPT

### ENVIRONMENTAL

#### AMBIENT OPERATING TEMPERATURE

Max. +55°C (130°F)  
Min. -40°C (-40°F)

#### OPERATING CONDITIONS

Unsheltered operation, shaded at >45°C (113°F)

Please contact GPT for operating conditions below -40°C or above +55°C.

### CONSTRUCTION

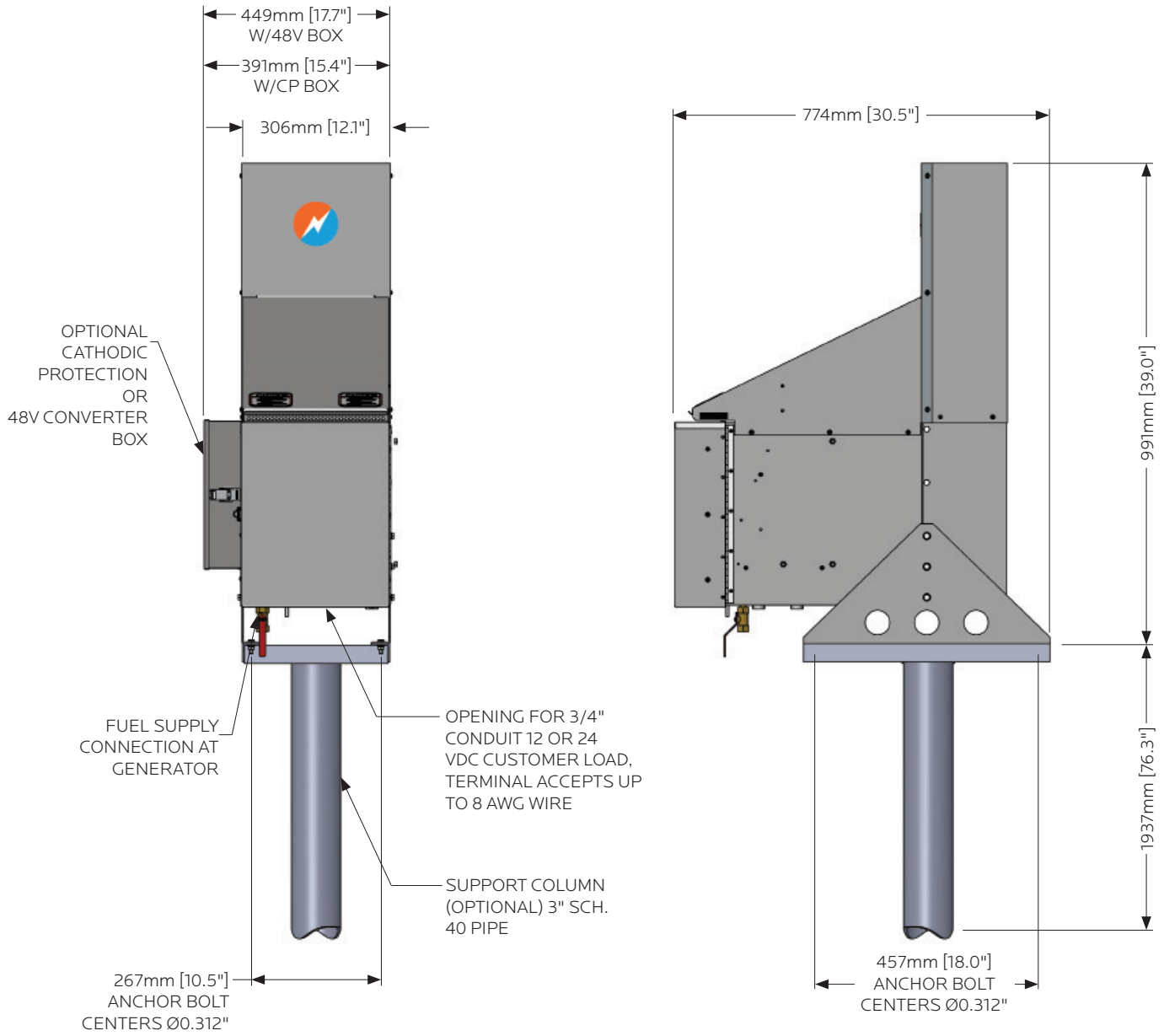
#### MATERIALS

Cabinet:            304 Stainless Steel (SS)  
Cooling Type:    Natural Convection  
Fuel System:     Brass, Aluminum & Stainless Steel

### NOTES

Specifications shown are for standard P-5050 configurations. Global Power Technologies (GPT) also offers customized products and systems to accommodate custom voltages, fuel supply systems and operating temperatures.

Specification data stated in this document is subject to change without notice. To verify these specifications are current, please contact your GPT sales representative.



**NOTES:**

Generator Weight: 41 kg [90 lb]  
Certified to CSA/ANSI 13.1 :22

**ISO**  
9001:2015  
REGISTERED

